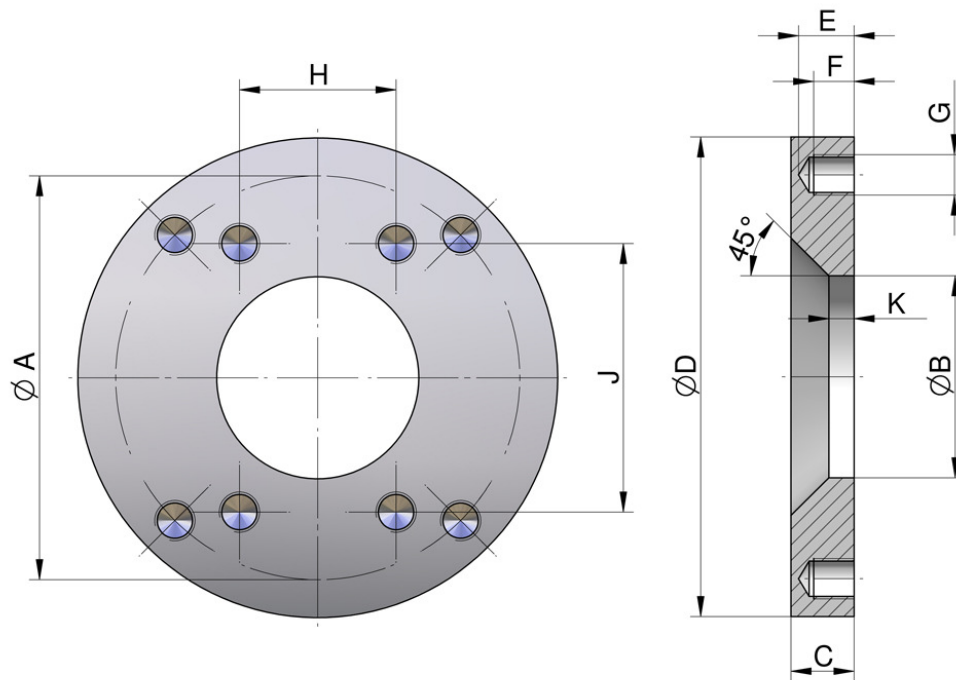


# Adapter Flange NG 40 – NG 125

for butterfly flanges AF-40 to AF-125



## Technical Data

description	order number	A	B	C	D	E	F	G	H	J	K	weight
		[mm]	[mm]	[mm]	[mm]	[mm]	[mm]	[mm]	[mm]	[mm]	[mm]	[kg]
adapter 40	SDAET040	110	49	25	130	22	14	M12 (4x)	--	--	5	1,9
adapter 50 & 63	SDAET063	125	63	25	150	22	14	M12 (4x)	--	--	5	2,45
adapter 80	SDAET080	--	80	25	150	22	16	M16 (4x)	62	106	10	2,15
adapter 100	SDAET100	--	100	25	180	22	16	M16 (4x)	77,8	130	5	2,8
adapter 125	SDAET125	--	125	25	205	22	16	M16 (4x)	92	152	5	3,3

Material: ST 37 (1.0037)

The adaptor flange may only be welded without the butterfly flange attached.