

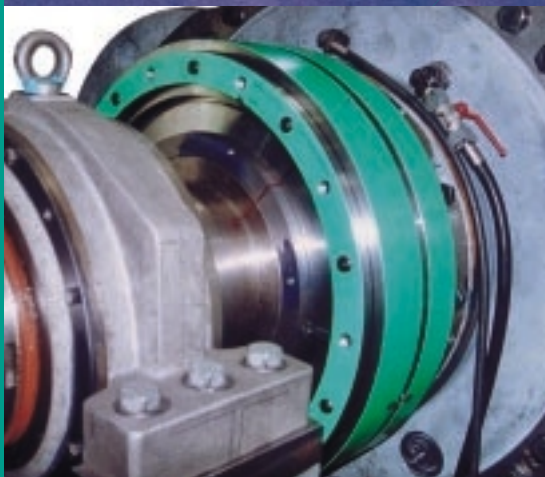
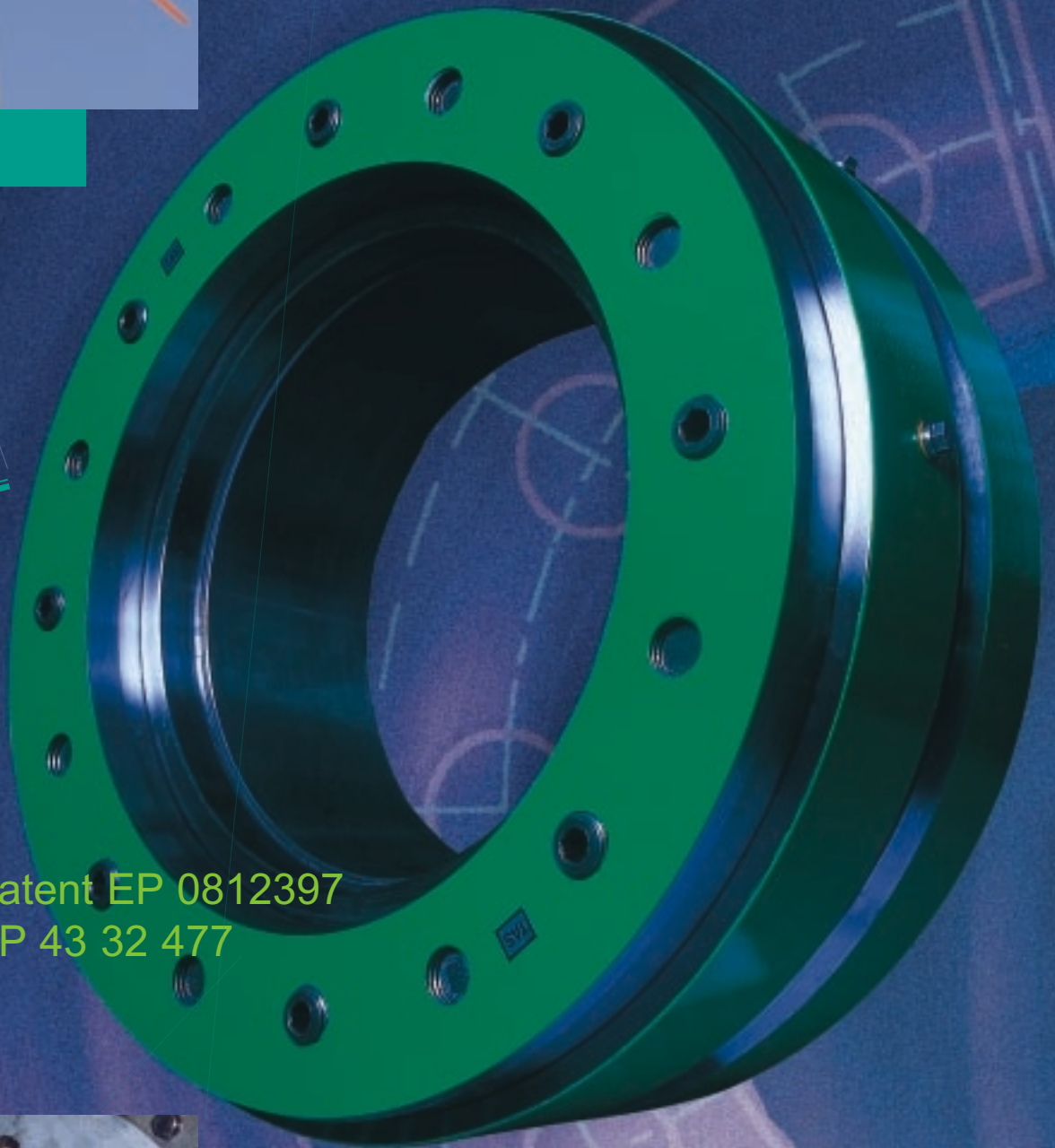
Hydraulic Shrink Disc



www.tas-schaefer.de

Zertifiziert
nach DIN-EN-ISO 9001

Europa Patent EP 0812397
Patent DP 43 32 477



on the test stand

TAS

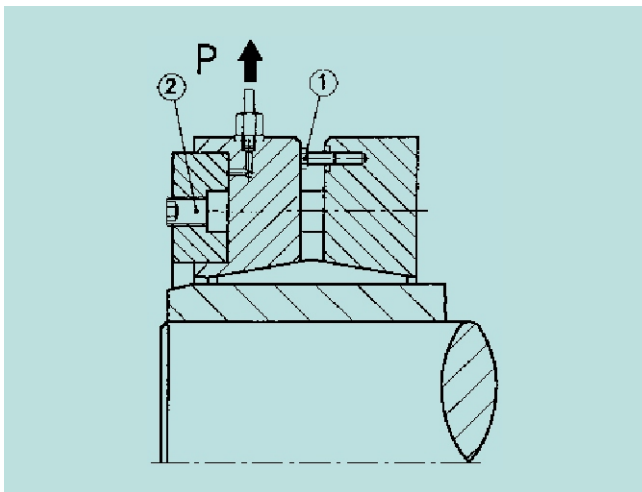
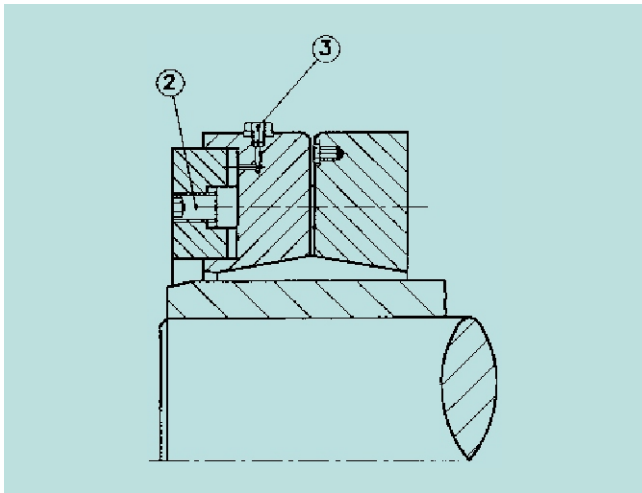
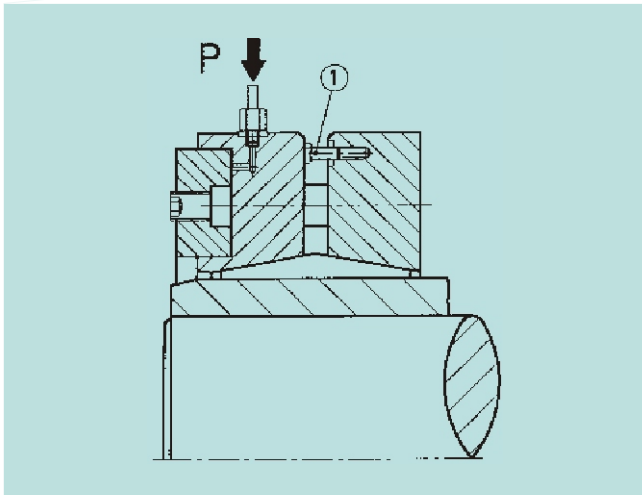
SCHAEFER
TECHNIKFÜR
ANTRIEB UND
STEUERUNG

Telefon (0 23 35) 97 8 10
Telefax (0 23 35) 7 29 56
Postf. 4154 58294 Wetter
Osterfeldstraße 75
D - 58300 Wetter 4
info@tas-schaefer.de
www.tas-schaefer.de

Installation Instructions

hydraulic Shrink Discs type SHS

The shrink discs are supplied assembled and ready to install.

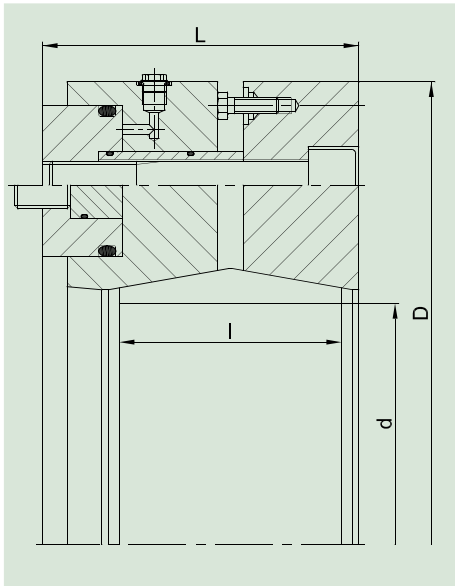


Assembly

1. The hub bore and the solid shaft must be clean and grease free.
2. Locate the shrink disc in the appropriate position.
Attention: Do not activate hydraulic pressure before the shaft is in place in the hub bore.
3. Tighten the 2 screws pos. 1 back.
4. Connect the hydraulic pump (hand or electric) via a hose coupling to the hydraulic port (R 1/4").
5. Activate the shrink disc by applying hydraulic pressure (approx. 180 bar).
6. Tighten all bolts (pos. 2) so that they are firmly seated.
Important: Make sure to fasten all bolts before releasing the hydraulic pressure.
7. Release the hydraulic pressure. Open the second hydraulic port to aid drainage. The hydraulic fluid will flow back to the pump reservoir.

Disassembly

1. Remove a hydraulic port plug and connect a pump hose.
 2. Apply 170-200 bar pressure and loosen the bolts (2).
 3. Release the hydraulic pressure and unscrew the jacking screws (1) until the shrink disc releases.
 4. Make sure that the jacking screws (1) are tightened back into their original position.
 5. Remove the hydraulic hose coupling and replace the plug (2). Remove the shrink disc.
-



Hydraulic Shrink Disc Type SHS

Hydraulic pressure please see list.

M_t = Transmissible torque per
shrink disc

p = pressure on nominal dia d

d_w mm	d mm	M_t kNm	D mm	L mm	l mm	p N/m ²	Weight kg	Hydraulic pressure bar
115	165	34	320	97	56	235	38	180
120	165	38	320	97	56	235	38	180
125	165	42	320	97	56	235	38	180
125	175	44	340	97	56	248	43	180
130	175	48	340	97	56	248	43	180
135	175	53	340	97	56	248	43	180
135	185	66	355	107	71	248	52	180
140	185	70	355	107	71	248	52	180
145	185	77	355	107	71	248	52	180
140	195	73	390	117	71	255	71	180
150	195	85	390	117	71	255	71	180
155	195	91	390	117	71	255	71	180
150	200	87	390	117	71	262	70	170
155	200	92	390	117	71	262	70	170
160	200	100	390	117	71	262	70	170
160	220	112	430	137	88	244	102	180
165	220	120	430	137	88	244	102	180
170	220	129	430	137	88	244	102	180
170	240	120	450	147	92	220	108	180
180	240	138	450	147	92	220	108	180
190	240	155	450	147	92	220	108	180
190	260	169	480	158	103	219	128	180
200	260	185	480	158	103	219	128	180
210	260	215	480	158	103	219	128	180
210	280	205	515	175	114	195	158	180
220	280	230	515	175	114	195	158	180
230	280	255	515	175	114	195	158	180

(Subject to design change without notice)

When ordering, show: TAS SHS D d \acute{a} Further sizes on request

d_w mm	d mm	M_t kNm	D mm	L mm	l mm	p N/m ²	Weight kg	Hydraulic pressure bar
230	300	282	540	189	122	202	211	180
240	300	310	540	189	122	202	211	180
245	300	325	540	189	122	202	211	180
240	320	300	555	189	122	201	216	180
250	320	328	555	189	122	201	216	180
260	320	360	555	189	122	201	216	180
250	340	358	610	208	134	200	290	190
260	340	388	610	208	134	200	290	190
270	340	425	610	208	134	200	290	190
270	350	425	615	219	140	194	304	200
280	350	462	615	219	140	194	304	200
285	350	482	615	219	140	194	304	200
280	360	474	630	219	140	198	318	200
290	360	514	630	219	140	198	318	200
295	360	535	630	219	140	198	318	200
300	390	570	705	221	144	203	410	190
310	390	615	705	221	144	203	410	190
320	390	660	705	221	144	203	410	190
330	420	755	750	235	164	194	480	200
340	420	810	750	235	164	194	480	200
350	420	865	750	235	164	194	480	200
340	440	850	785	265	177	191	607	180
350	440	910	785	265	177	191	607	180
360	440	970	785	265	177	191	607	180
360	460	970	810	265	177	193	645	180
370	460	1030	810	265	177	193	645	180
380	460	1100	810	265	177	193	645	180
380	480	1220	855	285	188	206	781	180
390	480	1300	855	285	188	206	781	180
400	480	1380	855	285	188	206	781	180
400	500	1390	880	285	188	207	866	180
410	500	1450	880	285	188	207	866	180
420	500	1540	880	285	188	207	866	180
430	530	1875	940	300	215	211	951	180
440	530	1960	940	300	215	211	951	180
450	530	2075	940	300	215	211	951	180
450	560	1980	965	300	215	204	970	200
460	560	2080	965	300	215	204	970	200
470	560	2185	965	300	215	204	970	200
470	590	2120	990	325	235	183	1043	200
480	590	2220	990	325	235	183	1043	200
490	590	2320	990	325	235	183	1043	200
500	620	2370	1020	325	235	181	1138	200
510	620	2460	1020	325	235	181	1138	200
520	620	2580	1020	325	235	181	1138	200

(Subject to design change without notice)

When ordering, show: TAS SHS $\text{D} \times d \times \text{Further sizes on request}$

d_w mm	d mm	M_t kNm	D mm	L mm	l mm	p_2 N/m ²	Weight kg	Hydraulic pressure bar
520	640	2690	1040	325	235	190	1175	180
530	640	2800	1040	325	235	190	1175	180
540	640	2930	1040	325	235	190	1175	180
530	660	2860	1130	380	260	195	1740	180
540	660	2980	1130	380	260	195	1740	180
550	660	3100	1130	380	260	195	1740	180
560	700	2770	1250	357	275	186	2700	180
580	700	3003	1250	357	275	186	2700	180
600	700	3240	1250	357	275	186	2700	180
580	720	3210	1240	340	250	176	2410	180
600	720	3460	1240	340	250	176	2410	180
620	720	3720	1240	340	250	176	2410	180
600	750	5070	1350	430	280	196	2920	180
620	750	5440	1350	430	280	196	2920	180
640	750	5835	1350	430	280	196	2920	180

(Subject to design change without notice)

When ordering, show: TAS SHS \varnothing d á Further sizes on request