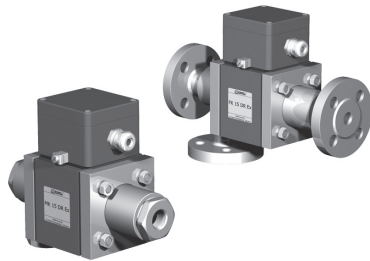


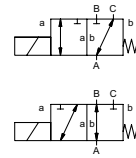
# coaxial valve

## type MK 15 DR Ex FK 15 DR Ex



**3/2 way valve** **direct acting**  
**pressure range** PN 0-40 bar  
**orifice** DN 15 mm  
**connection** thread/flange  
**function** valve normally closed (A ► B)  
 symbol **NC**

valve normally open (A ► B)  
 symbol **NO**



**△** Above stated body materials refer to the valve port connections that get in contact with the media only!

**design** pressure balanced, with spring return, intersecting switch-over  
**body materials** ① brass ② steel, galvanized  
 ③ brass, nickel plated ⑤ without non-ferr. metals  
 ④ steel, nickel plated ⑥ stainless steel

**valve seat** synthetic resin on metal  
**seal materials** NBR PTFE, FPM, CR, EPDM

**details needed**

- orifice
- port
- function NC/NO
- operating pressure
- inlet pressure at A, B or C
- flow rate
- media
- media temperature
- ambient temperature
- nominal voltage

general specifications		options
<b>ports</b>	MK threads G 3/8 - G 3/4 FK flanges PN 16/40	special threads special flanges
<b>function</b>	NC	NO
<b>pressure range</b>	bar 0-16/0-40 A ⇒ B max.40 / B ⇒ A max.16 / A ⇒ C max.40 / C ⇒ A max.16	
<b>Kv value</b>	m³/h 4,3	
<b>vacuum</b>	leak rate < 10 <sup>-6</sup> mbar·l·s <sup>-1</sup>	
<b>pressure-vacuum</b>	P <sub>1</sub> ⇔ P <sub>2</sub> upon request	
<b>back pressure</b>	P <sub>2</sub> > P <sub>1</sub> see pressure range	
<b>media</b>	gaseous - liquid - highly viscous - gelatinous - contaminated	upon request
<b>abrasive media</b>		upon request
<b>damping</b>	opening closing	
<b>flow direction</b>	see pressure range	
<b>switching cycles</b>	1/min 200	
<b>switching time</b>	ms opening 80 closing 80	
<b>media temperature</b>	°C DC: -20 to +40 AC: -20 to +40	
<b>ambient temperature</b>	°C DC: -20 to +40 AC: -20 to +40	
<b>limit switches</b>		inductive
<b>manual override</b>		
<b>approvals</b>		LR/GL/WAZ
<b>mounting</b>		mounting brackets
<b>weight</b>	kg MK 4,3 FK 5,9	
<b>additional equipment</b>		upon request

**⚠** The valves' technical design is based on media and application requirements. This can lead to deviations from the general specifications shown on the data sheet with regards to the design, sealing materials and characteristics.

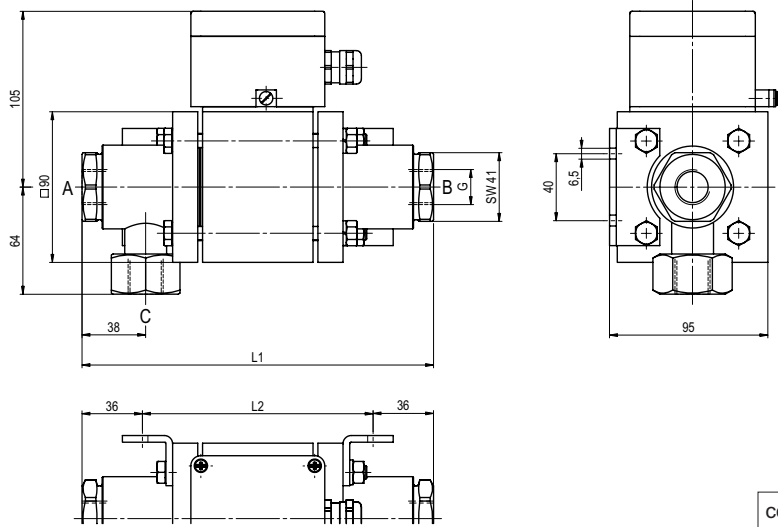
**⚠** If order or application specifications are incomplete or imprecise there exists a risk of an incorrect technical design of the valve for the required application. As a consequence, the physical and / or chemical properties of the materials or seals used, may not be suitable for the intended application.

electrical specifications		options
<b>nominal voltage</b>	U <sub>n</sub> 24 V DC U <sub>n</sub> 230 V 40-60 Hz AC	special voltage special voltage
<b>actuation</b>	DC direct-current magnet AC direct-current magnet with separate rectifier outside of the explosion-proof area	sand sealed rectifier
<b>insulation rating</b>	H 180°C	
<b>protection</b>	IP65	
<b>energized duty rating</b>	ED 100%	
<b>connection</b>	M16x1,5 terminal box	
<b>optional additional equipment</b>		
<b>current consumption</b>	U <sub>n</sub> V-DC 24 200 I <sub>n</sub> A 1,20 0,15	48 98 110 220 0,60 0,30 0,28 0,14
<b>explosion proof</b>	II 2 G Eex m II T4 and II 2 D IP65 T 130°C PTB 02 ATEX 2120 X	
<b>limit switches</b>	inductive NAMUR	circuit amplifier

■ specifications not highlighted are standard  
 ■ specifications highlighted in grey are optional

# type MK 15 DR Ex

function: **NC**  
closed when not energized (A ► B)

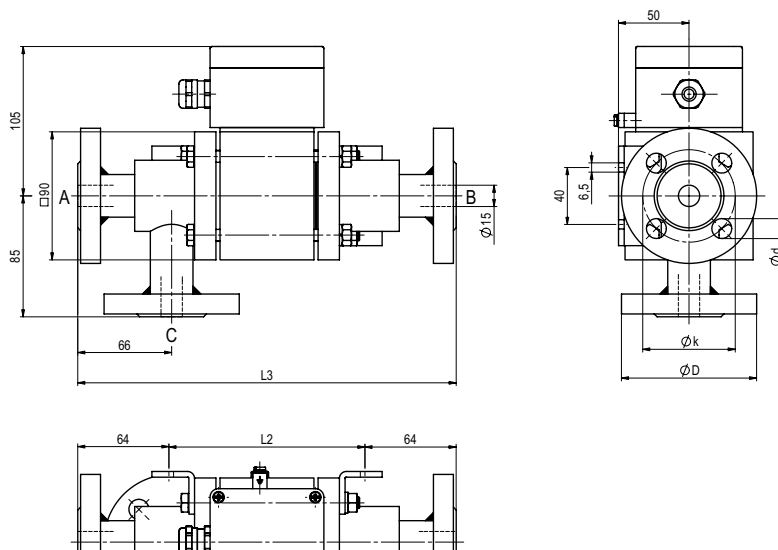


constructive length	L1	L2	L3
standard	210	138	266
with 1/2 inductive limit switches	259	187	315

flanges PN	DIN	øD	øk	ød
16	2633	95	65	14
40	2635	95	65	14

# type FK 15 DR Ex

function: **NO**  
open when not energized (A ► B)



The application-specific layout relating to temperature, pressure conditions, switching behavior, media and its consistency may restrict the range of use or necessitate relevant modifications to materials used and seal arrangements.

Rights reserved to make technical alterations • Not responsible for printing errors • Detailed drawings can be obtained upon request